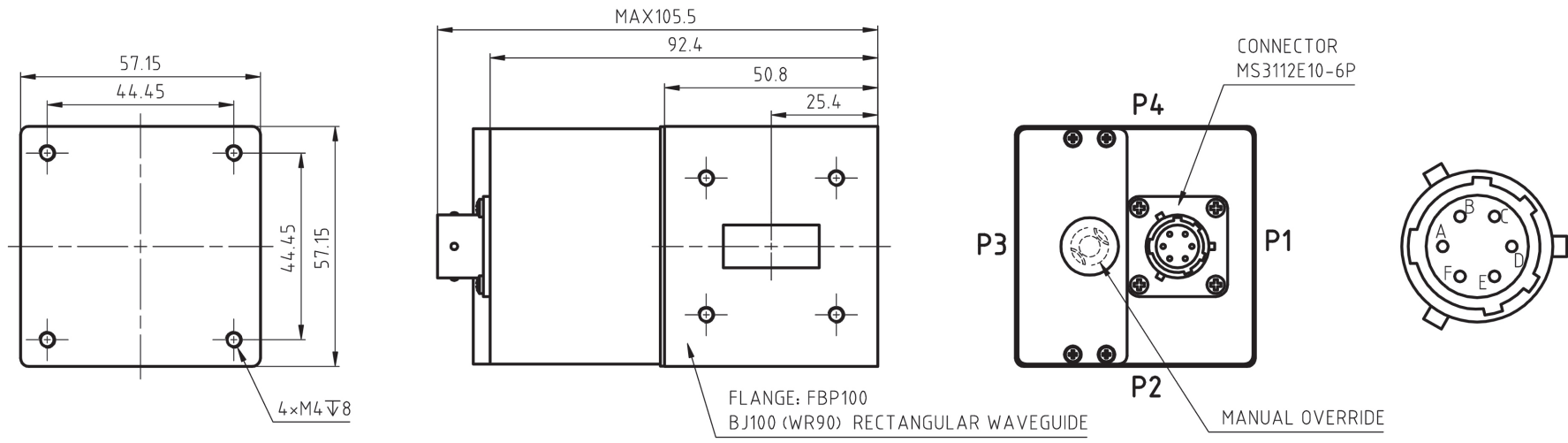
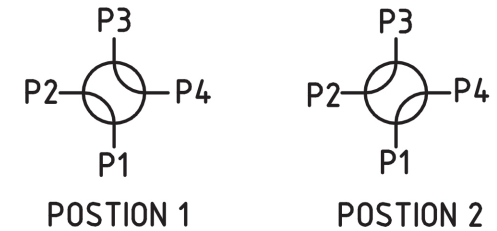
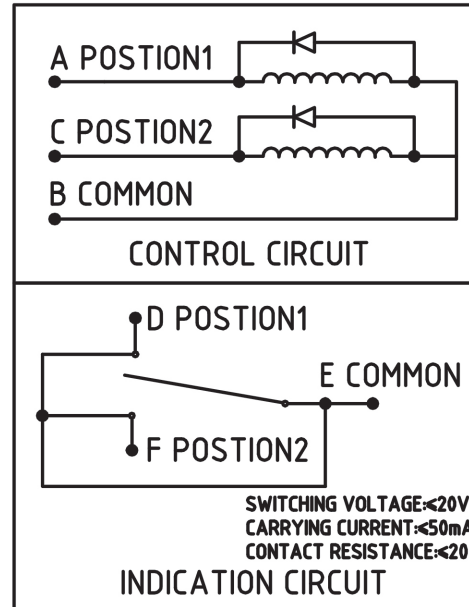


BJ100(WR90) WAVEGUIDE SWITCH



SPECIFICATION

- FREQ RANGE: 8.2GHz--12.4GHz
- VSWR: ≤ 1.10
- INSERTION LOSS: ≤ 0.10 dB
- ISOLATION: ≥ 60 dB
- SWITCHING TIME: ≤ 50 mS
- VOLTAGE: 24 VDC, DURATION ≥ 50 mS
- CURRENT: ≤ 625 mA @ (24 VDC, 25 $^{\circ}$ C)
- WORKING TEMPERATURE: -40 $^{\circ}$ C--70 $^{\circ}$ C
- LIFE: 100,000 CYCLES
- CONTROL MODE: LATCHING, MANUAL/ELECTRIC



EXCITATION AND SWITCH STATUS
A VDC, B GND; D-E CONNECTED; POSTION 1
C VDC, B GND; F-E CONNECTED; POSTION 2

Model:FBP100DB2401