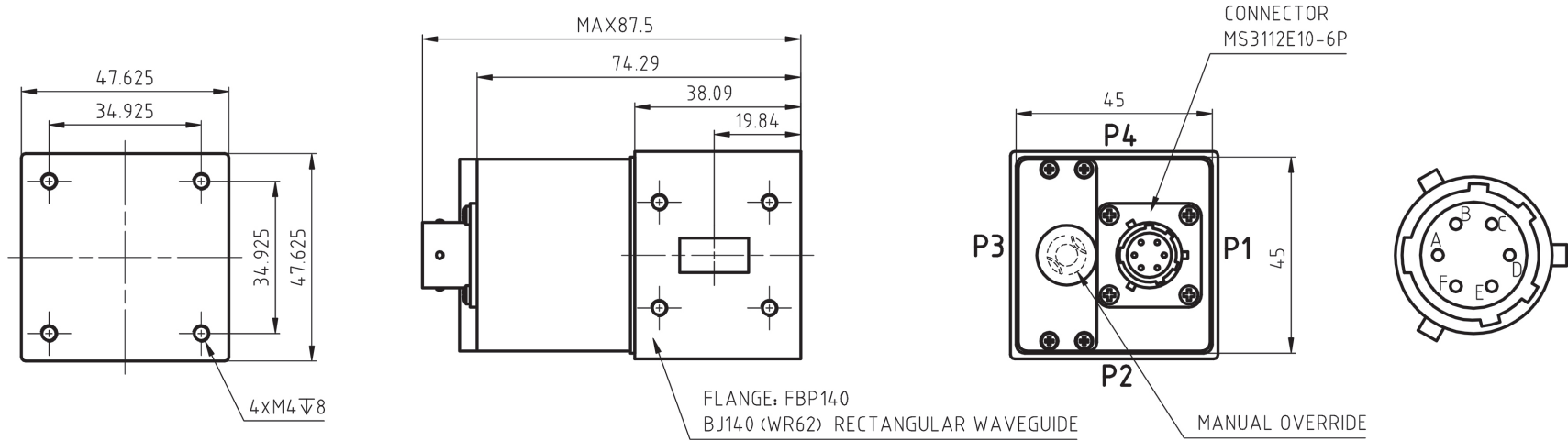
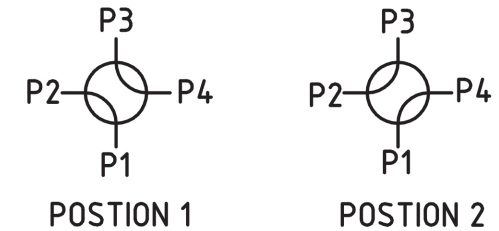
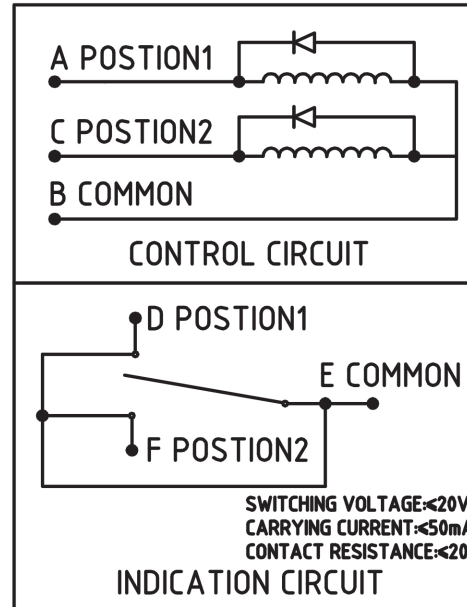


BJ140(WR62) WAVEGUIDE SWITCH



SPECIFICATION

FREQ RANGE:12.4GHz--18.0GHz
 VSWR: ≤1.10
 INSERTION LOSS: ≤0.10dB
 ISOLATION: ≥60dB
 SWITCHING TIME: ≤50 mS
 VOLTAGE:24 VDC, DURATION ≥50 mS
 CURRENT: ≤625mA@(24 VDC, 25℃)
 WORKING TEMPERATURE: -40℃--70℃
 LIFE:100,000 CYCLES
 CONTROL MODE:LATCHING, MANUAL/ELECTRIC



EXCITATION AND SWITCH STATUS
A VDC, B GND; D-E CONNECTED; POSTION 1
C VDC, B GND; F-E CONNECTED; POSTION 2

Model:FBP140DB2401