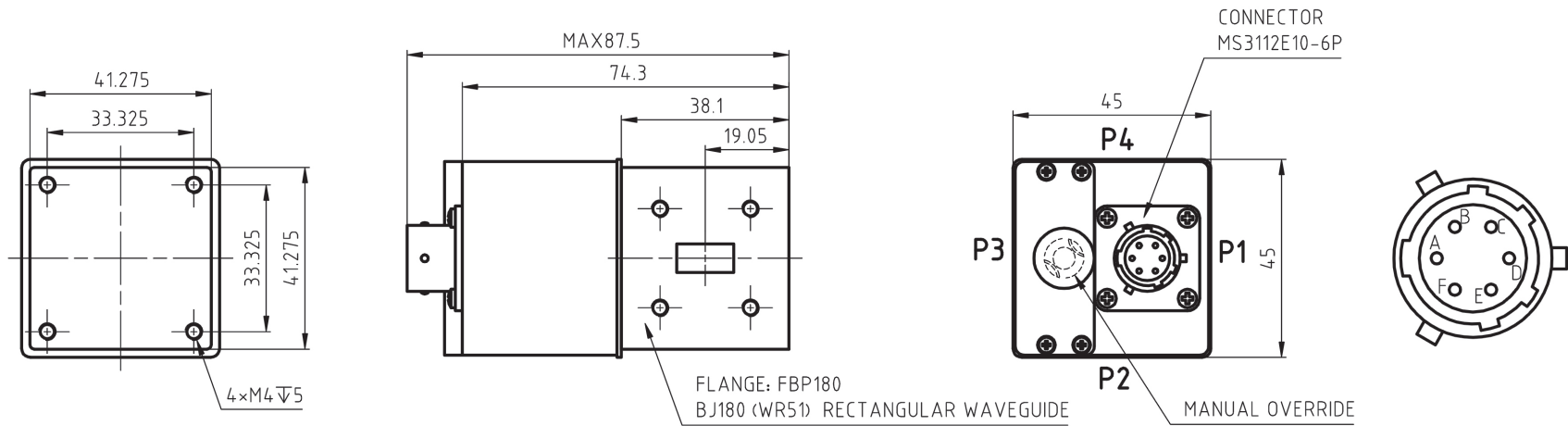


# BJ180(WR51) WAVEGUIDE SWITCH



## SPECIFICATION

FREQ RANGE:15.0GHz--22.0GHz

VSWR: ≤1.10

INSERTION LOSS: ≤0.10dB

ISOLATION: ≥60dB

SWITCHING TIME: ≤50 mS

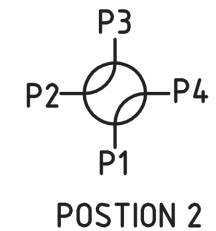
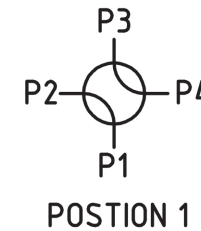
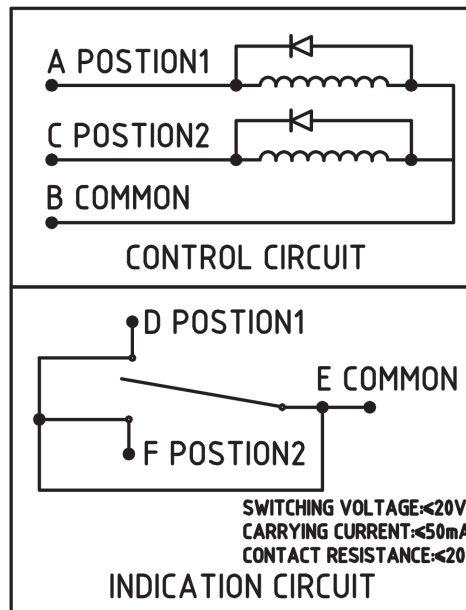
VOLTAGE:24 VDC,DURATION ≥50 mS

CURRENT: ≤625mA@(24 VDC, 25℃)

WORKING TEMPERATURE: -40℃--70℃

LIFE:100,000 CYCLES

CONTROL MODE:LATCHING,MANUAL/ELECTRIC



EXCITATION AND SWITCH STATUS
A VDC, B GND; D-E CONNECTED; POSTION 1
C VDC, B GND; F-E CONNECTED; POSTION 2

Model:FBP180DB2401