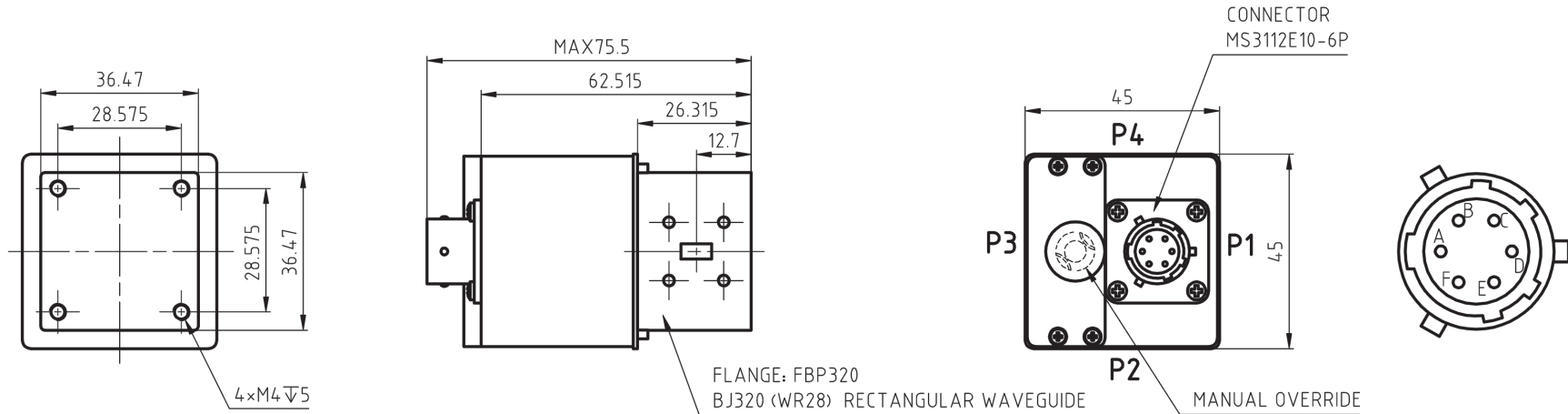


BJ320(WR28) WAVEGUIDE SWITCH



SPECIFICATION

FREQ RANGE: 26.5GHz--40.0GHz

VSWR: ≤ 1.15

INSERTION LOSS: ≤ 0.15 dB

ISOLATION: ≥ 55 dB

SWITCHING TIME: ≤ 50 mS

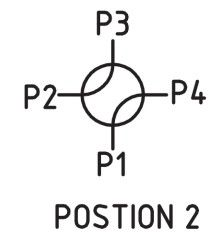
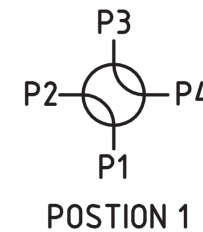
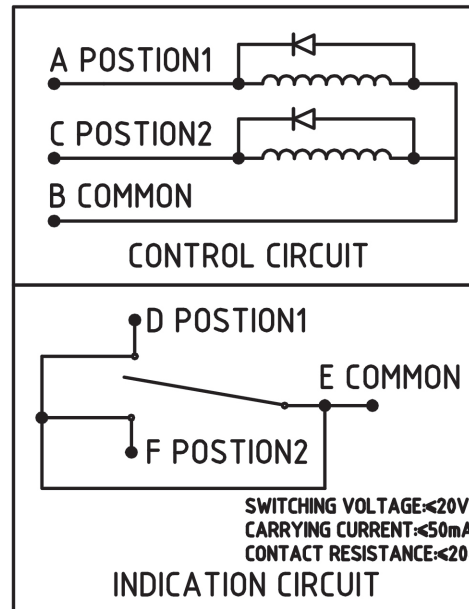
VOLTAGE: 24VDC, DURATION ≥ 50 mS

CURRENT: ≤ 625 mA @ (24VDC, 25 $^{\circ}$ C)

WORKING TEMPERATURE: -40 $^{\circ}$ C--70 $^{\circ}$ C

LIFE: 100,000 CYCLES

CONTROL MODE: LATCHING, MANUAL/ELECTRIC



EXCITATION AND SWITCH STATUS	
A VDC, B GND, D-E CONNECTED, POSTION 1	
C VDC, B GND, F-E CONNECTED, POSTION 2	

Model: FBP320DB2401