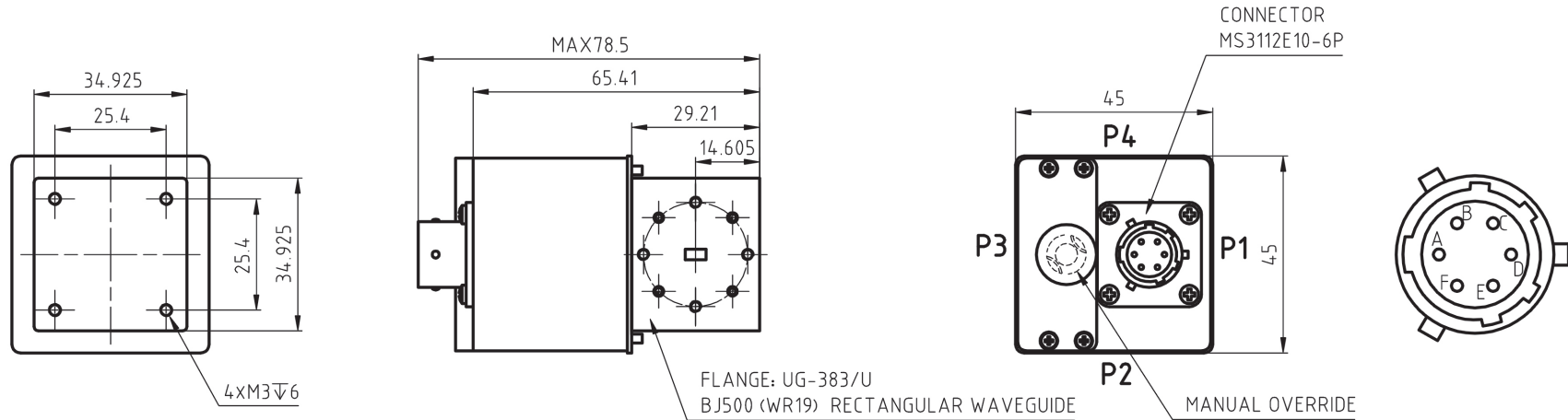
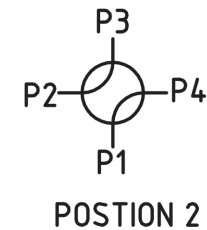
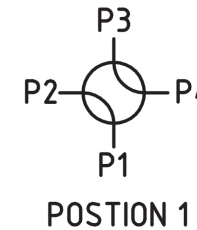
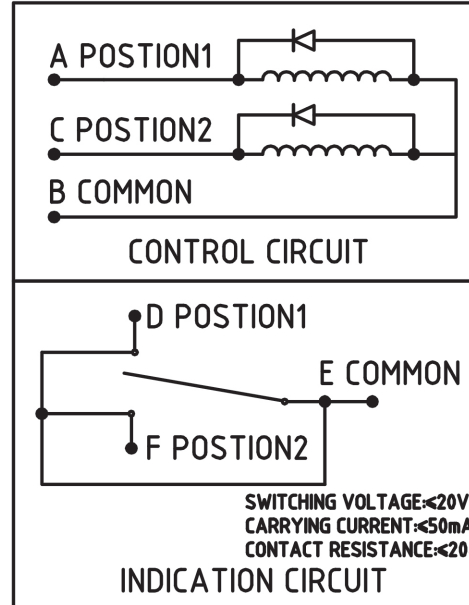


# BJ500(WR19) WAVEGUIDE SWITCH



## SPECIFICATION

FREQ RANGE: 40.0GHz--60.0GHz  
 VSWR:  $\leq 1.20$   
 INSERTION LOSS:  $\leq 0.30$ dB  
 ISOLATION:  $\geq 50$ dB  
 SWITCHING TIME:  $\leq 50$  mS  
 VOLTAGE: 24VDC, DURATION  $\geq 50$  mS  
 CURRENT:  $\leq 625$ mA@ (24VDC, 25 $^{\circ}$ C)  
 WORKING TEMPERATURE: -40 $^{\circ}$ C--70 $^{\circ}$ C  
 LIFE: 100,000 CYCLES  
 CONTROL MODE: LATCHING, MANUAL/ELECTRIC



EXCITATION AND SWITCH STATUS
A VDC, B GND, D-E CONNECTED, POSTION 1
C VDC, B GND, F-E CONNECTED, POSTION 2

**Model:UG38319DB2401**