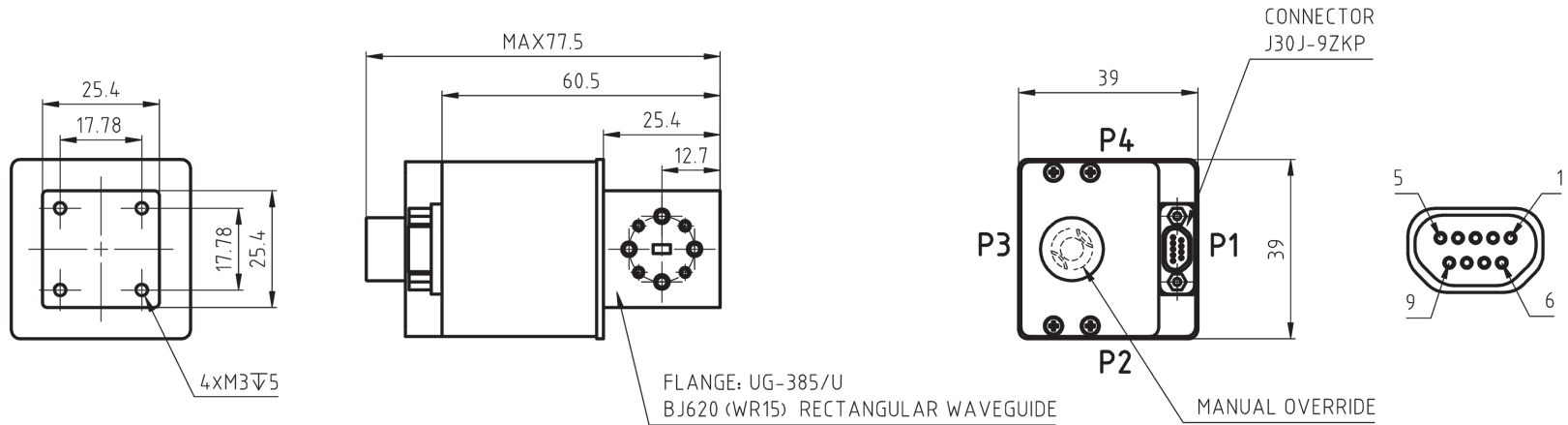


# BJ620(WR15) WAVEGUIDE SWITCH



## SPECIFICATION

FREQ RANGE:50.0GHz--75.0GHz

VSWR: ≤1.20

INSERTION LOSS: ≤0.40dB

ISOLATION: ≥50dB

SWITCHING TIME: ≤50 mS

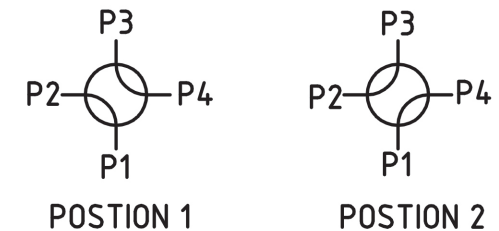
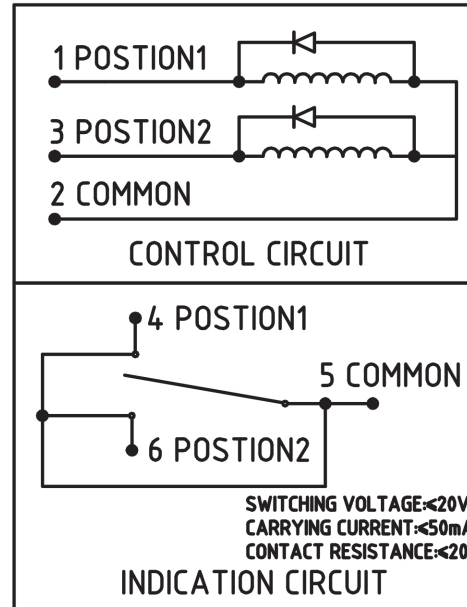
VOLTAGE:24 VDC, DURATION ≥50 mS

CURRENT: ≤625mA@(24 VDC, 25℃)

WORKING TEMPERATURE: -40℃--70℃

LIFE:100,000 CYCLES

CONTROL MODE:LATCHING, MANUAL/ELECTRIC



EXCITATION AND SWITCH STATUS	
1 VDC, 2 GND,	4-5 CONNECTED, POSTION 1
3 VDC, 2 GND,	6-5 CONNECTED, POSTION 2

Model:UG38515DB2401