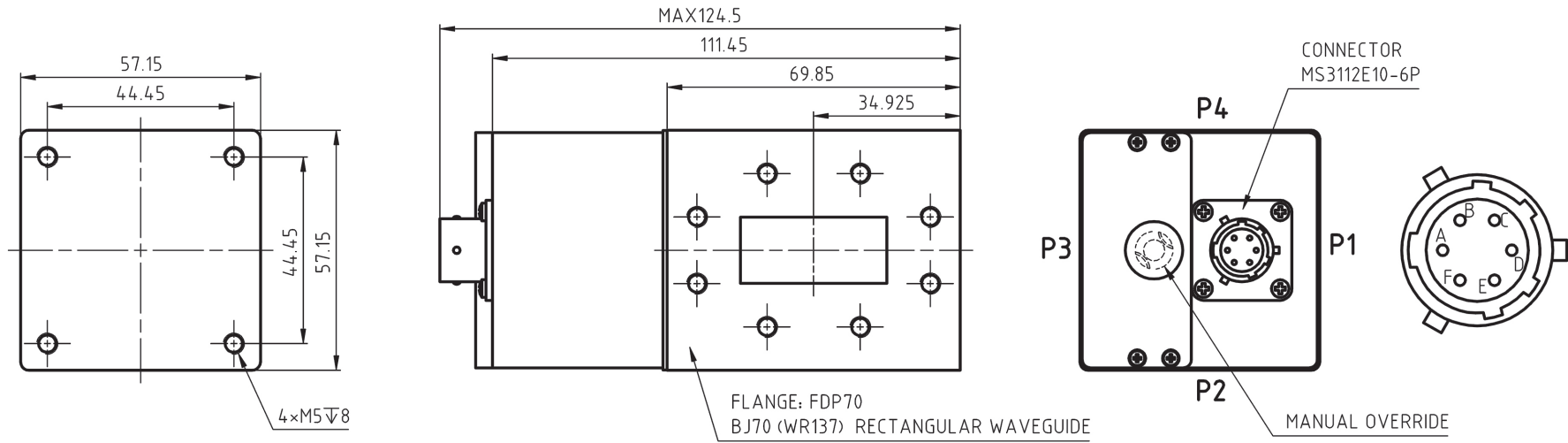


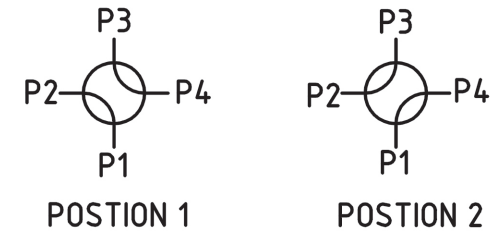
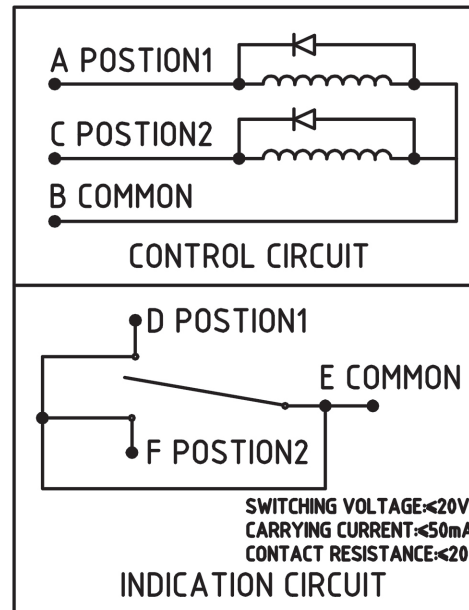
BJ70(WR137) WAVEGUIDE SWITCH



SPECIFICATION

- FREQ RANGE: 5.85GHz--8.20GHz
- VSWR: ≤ 1.10
- INSERTION LOSS: ≤ 0.10 dB
- ISOLATION: ≥ 60 dB
- SWITCHING TIME: ≤ 50 mS
- VOLTAGE: 24 VDC, DURATION ≥ 50 mS
- CURRENT: ≤ 625 mA@(24 VDC, 25 $^{\circ}$ C)
- WORKING TEMPERATURE: -40 $^{\circ}$ C--70 $^{\circ}$ C
- LIFE: 100,000 CYCLES
- CONTROL MODE: LATCHING, MANUAL/ELECTRIC

Model:FDP70DB2401



EXCITATION AND SWITCH STATUS
A VDC, B GND; D-E CONNECTED; POSTION 1
C VDC, B GND; F-E CONNECTED; POSTION 2