

DPDT N 12.4GHz High Power Failsafe / Latching

◆ RF Characteristics

Frequency (GHz)	Ins.loss (dB)	Isolation (dB)	VSWR	RF Power CW (W)
DC-5	0.3	70	1.3	350
5-12.4	0.5	60	1.5	250

◆ Operating Voltage/Coil Current

Operating Voltage(V)	12	24	28	
Coil Current (mA)	Failsafe	350	200	180
	Latching	400	200	185

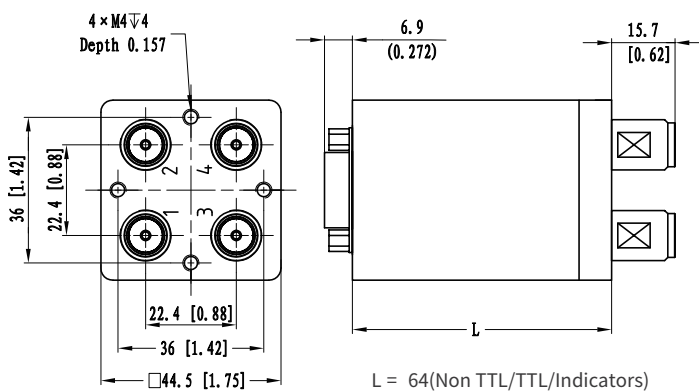
* It can be selected according to user requirements

TTL	TTL Low(V)	TTL High	
	0-0.3	3~5V	1.4mA

Indicators	Withstand Voltage V (max)	Current capacity mA (max)	Resistance Ω (max)
	50	100	15

* Connect VDC & GND before the function operates

◆ Outline Drawing

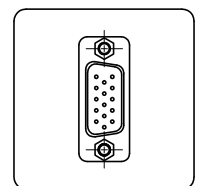


◆ Product Functions

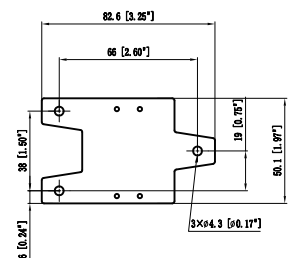
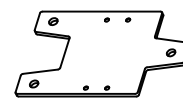
- DC to 12.4GHz
- Low loss, Low VSWR, High Isolation
- N Female Connector
- Selectable TTL driver control



◆ Backplane



Unit: mm(Inch)



Unit: mm(Inch)

◆ Specifications

Switching Sequence: Break before Make

Switching Time: 15ms max

Storage temperature: -55°C~85°C

Operating temperature: -25°C~65°C(Standard)
-45°C~85°C(Extended1)
-55°C~85°C(Extended2)

Mechanical Life Cycles: 2 million cycles

RF Connectors: N Female

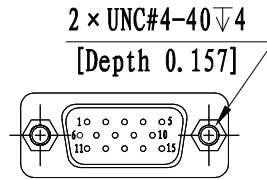
Impedance: 50Ω

Mechanical Shock,Non-Operating: 50G、1/2 Sine、11 ms

Vibration Operating: 20-2000 Hz、10G RMS

Actuator Terminals: D-SUB 15Pin Male

Weight: 380g



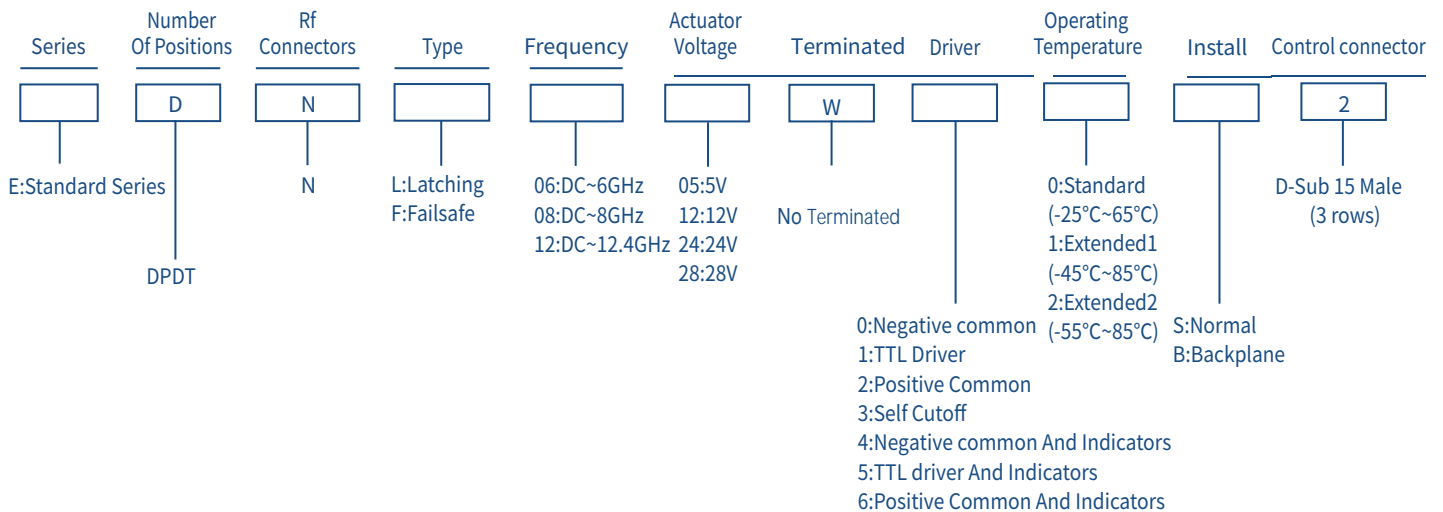
DB15 male

◆ Truth Table

Failsafe Non TTL			Failsafe TTL		
Actuator Terminals		RF Connector	Actuator Terminals		RF Connector
Solder Pins/D-SUB 15Pin Male			Solder Pins/D-SUB 15Pin Male		
Pin No.	Define	No Power,RF 1-2,3-4	Pin No.	Define	No Power,RF 1-2,3-4
1	GND	-	1	VDC	-
2	V	RF 1-3,2-4	2	GND	-
3~11	N/A	-	3	TTL	RF 1-3,2-4
12	VDC	-	4~12	N/A	-
13	Ind.1	Indicators RF 1-2,3-4	13	Ind.1	Indicators RF 1-2,3-4
14	Ind.2		14	Ind.2	
15	Ind.com		15	Ind.com	

Latching Non TTL			Latching TTL		
Actuator Terminals		RF Connector	Actuator Terminals		RF Connector
Solder Pins/D-SUB 15Pin Male			Solder Pins/D-SUB 15Pin Male		
Pin No.	Define	-	Pin No.	Define	-
1	V1	RF 1-2,3-4	1	VDC	-
2	V2	RF 1-3,2-4	2	GND	-
3	GND	-	3	TTL	RF 1-2,3-4
4~11	N/A	-	4	TTL	RF 1-3,2-4
12	VDC	-	5~12	N/A	-
13	Ind.1	Indicators RF 1-2,3-4	13	Ind.1	Indicators RF 1-2,3-4
14	Ind.2		14	Ind.2	
15	Ind.com		15	Ind.com	

◆ Product Selection



★ EXP: EDNL0605W00S2: Standard Series、DPDT、N、Latching、DC-6GHz、5V、Non Terminated、Negative common、Standard、Normal、D-Sub 15 Male.