

SP3T-6T 43.5GHz

Normally open

◆ RF Characteristics

Frequency (GHz)	Ins.loss (dB)	Isolation (dB)	VSWR	RF Power CW (W)
DC-6	0.3	70	1.3	40
6-12	0.4	70	1.4	30
12-18	0.5	60	1.5	25
18-26.5	0.7	55	1.7	12
26.5-32	0.8	50	1.8	8
32-40	0.9	50	1.9	5
40-43.5	1.0	50	2.0	4



◆ Operating Voltage/Coil Current

Operating Voltage(V)	12	24	28	
Coil Current (mA)	Normally open	300	150	140

* It can be selected according to user requirements

TTL	TTL Low(V)	TTL High	
	0-0.3	3~5V	1.4mA

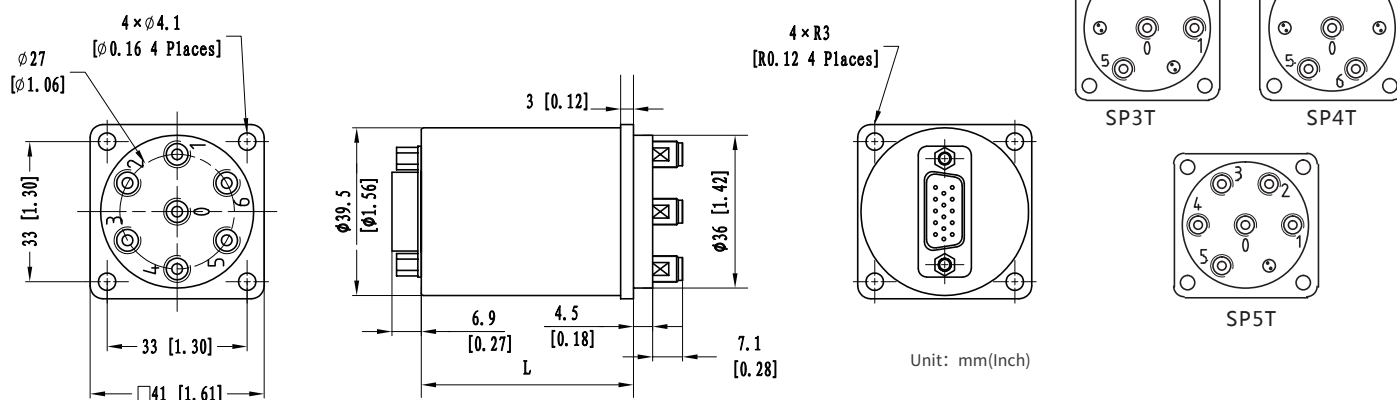
Indicators	Withstand Voltage V (max)	Current capacity mA(max)	Resistance Ω (max)
	50	100	15

* Connect VDC & GND before the function operates

◆ Product Functions

- DC to 43.5GHz
- Low loss, Low VSWR, High Isolation
- 2.92 Connector
- Selectable TTL driver control

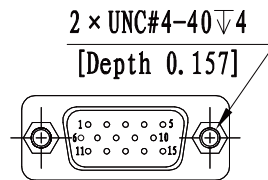
◆ Outline Drawing



L = 50(Non TTL/TTL/Indicators)

◆ Specifications

Switching Sequence: Break before Make	Mechanical Life Cycles: 2 million cycles	Mechanical Shock, Non-Operating: 50G, 1/2 Sine, 11 ms
Switching Time: 15ms max	RF Connectors: 2.92 Female	Vibration Operating: 20-2000 Hz, 10G RMS
Storage temperature: -55°C~85°C	Impedance: 50Ω	Actuator Terminals: Solder Pins/D-SUB 15Pin Male
Operating temperature: -25°C~65°C(Standard)		Weight: 140g
-45°C~85°C(Extended1)		
-55°C~85°C(Extended2)		

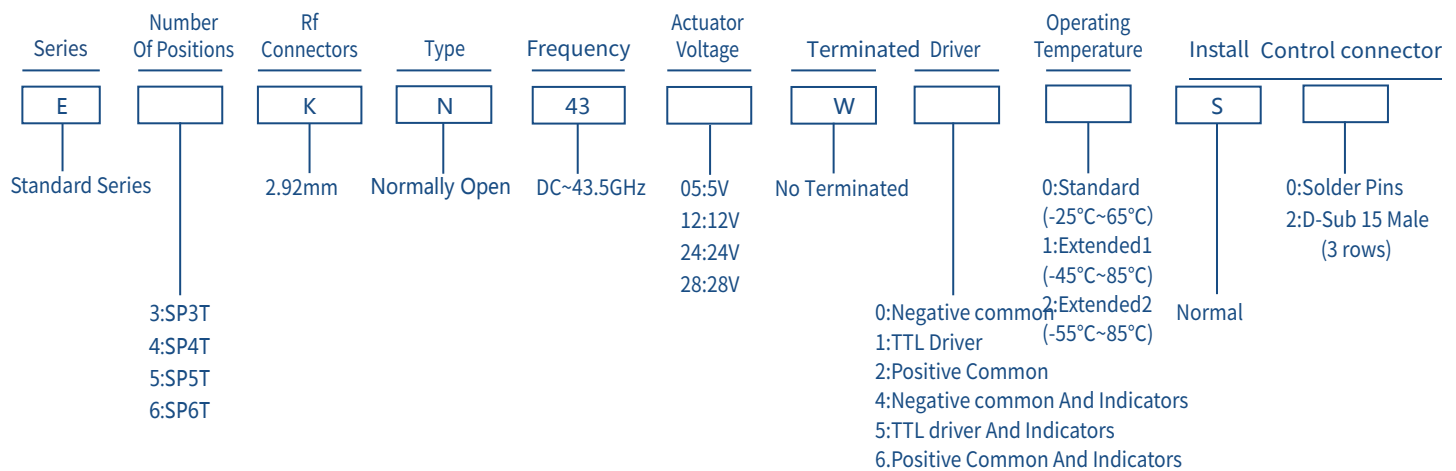


DB15 male

◆ Truth Table

Normally open Non TTL						Normally open TTL					
Actuator Terminals		RF Connector				Actuator Terminals		RF Connector			
D-SUB 15Pin Male						D-SUB 15Pin Male					
Pin No.	Define	SP3T	SP4T	SP5T	SP6T	Pin No.	Define	SP3T	SP4T	SP5T	SP6T
1	V1	RF 1-0	-	RF 1-0	RF 1-0	1	TTL	RF 1-0	-	RF 1-0	RF 1-0
2	V2	-	RF 2-0	RF 2-0	RF 2-0	2	TTL	-	RF 2-0	RF 2-0	RF 2-0
3	V3	RF 3-0	RF 3-0	RF 3-0	RF 3-0	3	TTL	RF 3-0	RF 3-0	RF 3-0	RF 3-0
4	V4	-	-	RF 4-0	RF 4-0	4	TTL	-	-	RF 4-0	RF 4-0
5	V5	RF 5-0	RF 5-0	RF 5-0	RF 5-0	5	TTL	RF 5-0	RF 5-0	RF 5-0	RF 5-0
6	V6	-	RF 6-0	-	RF 6-0	6	TTL	-	RF 6-0	-	RF 6-0
7	GND	-	-	-	-	7	VDC	-	-	-	-
8	Ind.1	RF 1-0	-	RF 1-0	RF 1-0	8	GND	-	-	-	-
9	Ind.2	-	RF 2-0	RF 2-0	RF 2-0	9	Ind.1	RF 1-0	-	RF 1-0	RF 1-0
10	Ind.3	RF 3-0	RF 3-0	RF 3-0	RF 3-0	10	Ind.2	-	RF 2-0	RF 2-0	RF 2-0
11	Ind.4	-	-	RF 4-0	RF 4-0	11	Ind.3	RF 3-0	RF 3-0	RF 3-0	RF 3-0
12	Ind.5	RF 5-0	RF 5-0	RF 5-0	RF 5-0	12	Ind.4	-	-	RF 4-0	RF 4-0
13	Ind.6	-	RF 6-0	-	RF 6-0	13	Ind.5	RF 5-0	RF 5-0	RF 5-0	RF 5-0
14	Ind.com	-	-	-	-	14	Ind.6	-	RF 6-0	-	RF 6-0
15	VDC	-	-	-	-	15	Ind.com	-	-	-	-

◆ 产品选型



★ EXP: E3KN4305W00S0: Standard Series、SP3T、2.92mm、Normally Open、DC~43.5GHz、5V、Non Terminated、Negative common、Standard、Normal、Solder Pins.