

SP9T-10T 26.5GHz

Normally open

◆ RF Characteristics

Frequency (GHz)	Ins. loss (dB)	Isolation (dB)	VSWR	RF Power CW (W)
DC-6	0.3	70	1.3	80
6-12	0.4	60	1.4	60
12-18	0.6	50	1.6	50
18-26.5	0.7	50	1.7	15



◆ Operating Voltage/Coil Current

Operating Voltage(V)	12	24	28	
Coil Current (mA)	Normally open	300	150	140

* It can be selected according to user requirements

TTL	TTL Low(V)	TTL High	
	0-0.3	3~5V	1.4mA

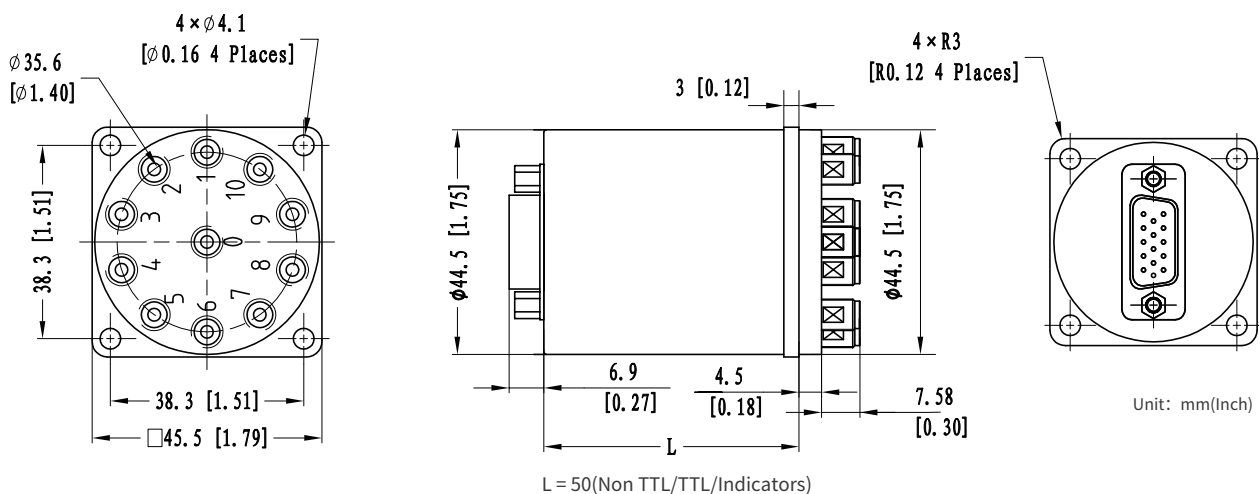
Indicators	Withstand Voltage V (max)	Current capacity mA(max)	Resistance Ω (max)
	50	100	15

* Connect VDC & GND before the function operates

◆ Product Functions

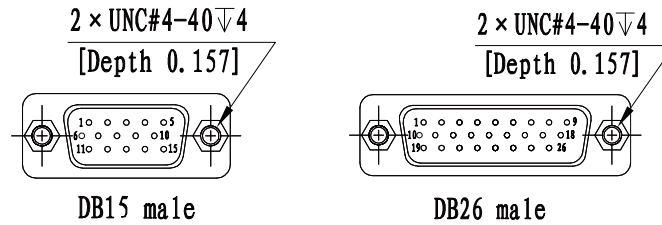
- DC to 26.5GHz
- Low loss, Low VSWR, High Isolation
- SMA Connector
- Selectable TTL driver control

◆ Outline Drawing



◆ Specifications

Switching Sequence: Break before Make	Mechanical Life Cycles: 2 million cycles	Mechanical Shock, Non-Operating: 50G, 1/2 Sine, 11 ms
Switching Time: 15ms max	RF Connectors: SMA Female	Vibration Operating: 20-2000 Hz, 10G RMS
Storage temperature: -55°C~85°C	Impedance: 50Ω	Actuator Terminals: D-SUB 15/26Pin Male
Operating temperature: -25°C~65°C(Standard)		Weight: 185g
-45°C~85°C(Extended1)		
-55°C~85°C(Extended2)		

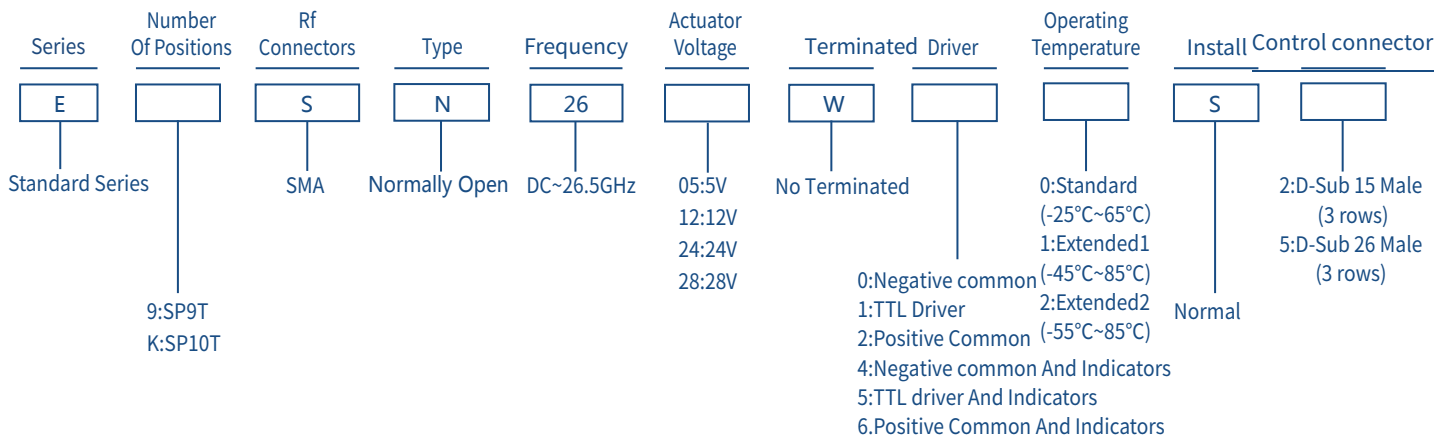


◆ Truth Table

* No indication function, control interface DB15 Male.

Normally open Non TTL				Normally open TTL			
Actuator Terminals		RF Connector		Actuator Terminals		RF Connector	
D-SUB 15/26Pin Male				D-SUB 15/26Pin Male			
Pin No.	Define	SP9T	SP10T	Pin No.	Define	SP9T	SP10T
1	V1	RF 1-0	RF 1-0	1	TTL	RF 1-0	RF 1-0
2	V2	RF 2-0	RF 2-0	2	TTL	RF 2-0	RF 2-0
3	V3	RF 3-0	RF 3-0	3	TTL	RF 3-0	RF 3-0
4	V4	RF 4-0	RF 4-0	4	TTL	RF 4-0	RF 4-0
5	V5	RF 5-0	RF 5-0	5	TTL	RF 5-0	RF 5-0
6	V6	RF 6-0	RF 6-0	6	TTL	RF 6-0	RF 6-0
7	V7	RF 7-0	RF 7-0	7	TTL	RF 7-0	RF 7-0
8	V8	RF 8-0	RF 8-0	8	TTL	RF 8-0	RF 8-0
9	V9	RF 9-0	RF 9-0	9	TTL	RF 9-0	RF 9-0
10	V10	-	RF 10-0	10	TTL	-	RF 10-0
11	GND	-	-	11	VDC	-	-
12	Ind.1	RF 1-0	RF 1-0	12	GND	-	-
13	Ind.2	RF 2-0	RF 2-0	13	Ind.1	RF 1-0	RF 1-0
14	Ind.3	RF 3-0	RF 3-0	14	Ind.2	RF 2-0	RF 2-0
15	Ind.4	RF 4-0	RF 4-0	15	Ind.3	RF 3-0	RF 3-0
16	Ind.5	RF 5-0	RF 5-0	16	Ind.4	RF 4-0	RF 4-0
17	Ind.6	RF 6-0	RF 6-0	17	Ind.5	RF 5-0	RF 5-0
18	Ind.7	RF 7-0	RF 7-0	18	Ind.6	RF 6-0	RF 6-0
19	Ind.8	RF 8-0	RF 8-0	19	Ind.7	RF 7-0	RF 7-0
20	Ind.9	RF 9-0	RF 9-0	20	Ind.8	RF 8-0	RF 8-0
21	Ind.10	-	RF 10-0	21	Ind.9	RF 9-0	RF 9-0
22	Ind.com	-	-	22	Ind.10	-	RF 10-0
23	VDC	-	-	23	Ind.com	-	-
24~26	N/A	-	-	24~26	N/A	-	-

◆ Product Selection



★ EXP: E9SN2605W00S2: Standard Series, SP9T, SMA, Normally Open, DC~26.5GHz, 5V, Non Terminated, Negative common, Standard D-Sub 15 Male.