

SPDT 18GHz Failsafe / Latching

◆ RF Characteristics

Frequency (GHz)	Ins.loss (dB)	Isolation (dB)	VSWR	RF Power CW (W)
DC-6	0.2	70	1.2	80
6-12	0.3	70	1.3	60
12-18	0.4	60	1.4	50

◆ Operating Voltage/Coil Current

Operating Voltage(V)	12	24	28	
Coil Current (mA)	Failsafe	195	100	95
	Latching	230	140	120

* It can be selected according to user requirements

TTL	TTL Low(V)	TTL High	
	0-0.3	3~5V	20mA

Indicators	Withstand Voltage V (max)	Current capacity mA(max)	Resistance Ω (max)
	50	100	15

* Connect VDC & GND before the function operates

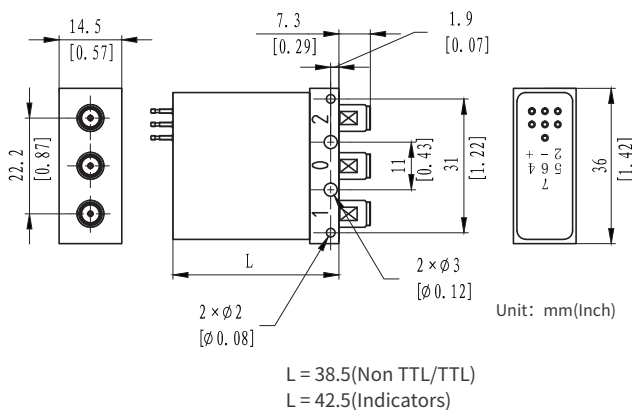


◆ Product Functions

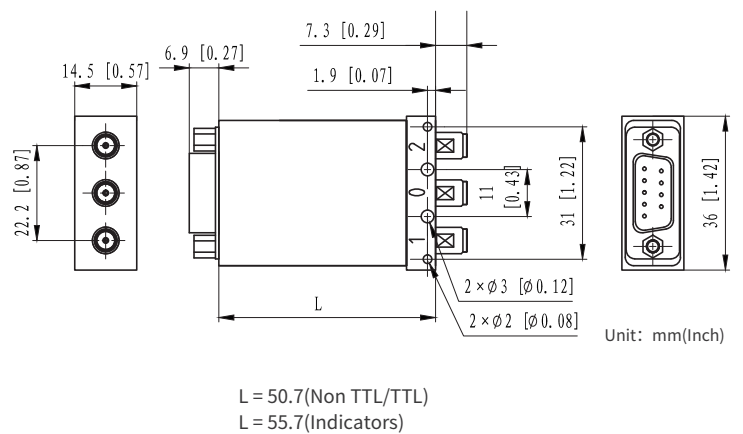
- DC to 18GHz
- Low loss, Low VSWR, High Isolation
- SMA Connector
- Selectable TTL driver control

◆ Outline Drawing

Solder Pins



D-SUB Male

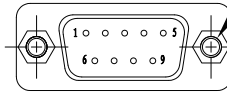


◆ Specifications

Switching Sequence: Break before Make	Mechanical Life Cycles: 2 million cycles	Mechanical Shock, Non-Operating: 50G、1/2 Sine、11 ms
Switching Time: 15ms max	RF Connectors: SMA Female	Vibration Operating: 20-2000 Hz、10G RMS
Storage temperature: -55°C~85°C	Impedance: 50Ω	Actuator Terminals: Solder Pins/D-SUB 9Pin Male
Operating temperature: -25°C~65°C(Standard)		Weight: 45g
-45°C~85°C(Extended1)		
-55°C~85°C(Extended2)		

2 × UNC#4-40▽4

[Depth 0.157]



DB9 male

◆ Truth Table

Failsafe Non TTL				Failsafe TTL			
Actuator Terminals			RF Connector	Actuator Terminals			RF Connector
Solder Pins/D-SUB 9Pin Male				Solder Pins/D-SUB 9Pin Male			
Pin No.	Define		No Power,RF 1-0	Pin No.	Define		No Power,RF 1-0
1	V		RF 2-0	1	VDC		RF 2-0
2	N/A		-	2	TTL		-
3	GND		-	3	GND		-
4	Ind.1	Indicators	RF 1-0	4	Ind.1	Indicators	RF 1-0
5	Ind.2		RF 2-0	5	Ind.2		RF 2-0
6	Ind.com		-	6	Ind.com		-
7	VDC		-	7~9	N/A		-
8~9	N/A		-				

Latching Non TTL				Latching TTL			
Actuator Terminals			RF Connector	Actuator Terminals			RF Connector
Solder Pins/D-SUB 9Pin Male				Solder Pins/D-SUB 9Pin Male			
Pin No.	Define		-	Pin No.	Define		-
1	V1		RF 1-0	1	VDC		-
2	V2		RF 2-0	2	TTL		RF 1-0
3	GND		-	3	GND		-
4	Ind.1	Indicators	RF 1-0	4	TTL		RF 2-0
5	Ind.2		RF 2-0	5	Ind.1	Indicators	RF 1-0
6	Ind.com		-	6	Ind.2		RF 2-0
7	VDC		-	7	Ind.com		-
8~9	N/A		-	8~9	N/A		-

◆ Product Selection

Series	Number Of Positions	Rf Connectors	Type	Frequency	Actuator Voltage	Terminated	Driver	Operating Temperature	Instal	Control connector
E	2	S				W			S	
Standard Series	SP2T	SMA	L:Latching F:Failsafe	06:DC~6GHz 08:DC~8GHz 12:DC~12.4GHz 18:DC~18GHz	05:5V 12:12V 24:24V 28:28V	No Terminated	0:Negative comm 1:TTL Driver 2:Positive Common 3:Self Cutoff 4:Negative comm And Indicators 5:TTL driver And Indicators 6:Positive Common And Indicators	0:Standard (-25°C~65°C) 1:Extended1 (-45°C~85°C) 2:Extended2 (-55°C~85°C)	Normal	0:Solder Pins 1:D-Sub 9 Male (2 rows)

★ EXP: E2SL0605W00S0: Standard Series、SP2T、SMA、Latching、DC~6GHz、5V、Non Terminated、Negative comm、Standard、Normal、Solder Pins.