

SPDT 67GHz Failsafe / Latching

◆ RF Characteristics

Frequency (GHz)	Ins.loss (dB)	Isolation (dB)	VSWR	RF Power CW (W)
DC-6	0.2	70	1.2	40
6-12	0.3	70	1.3	30
12-18	0.4	60	1.4	25
18-26.5	0.6	55	1.6	12
26.5-32	0.7	50	1.7	8
32-40	0.8	50	1.8	5
40-43	0.9	45	1.9	4
43-50	1.0	45	2.0	3
50-53	1.1	45	2.1	2
53-67	1.2	45	2.2	2



◆ Operating Voltage/Coil Current

Operating Voltage(V)	12	24	28
	Coil Current (mA)	Failsafe 195	100
	Latching 230	140	120

* It can be selected according to user requirements

TTL	TTL Low(V)	TTL High	
	0-0.3	3~5V	20mA

Indicators	Withstand Voltage V (max)	Current capacity mA(max)	Resistance Ω (max)
		50	100

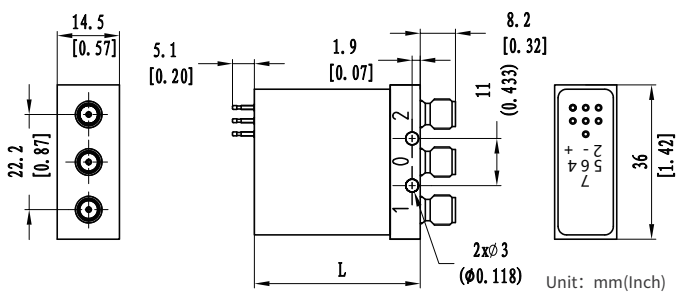
* Connect VDC & GND before the function operates

◆ Product Functions

- DC to 67GHz
- 1.85 Connector
- Selectable TTL driver control

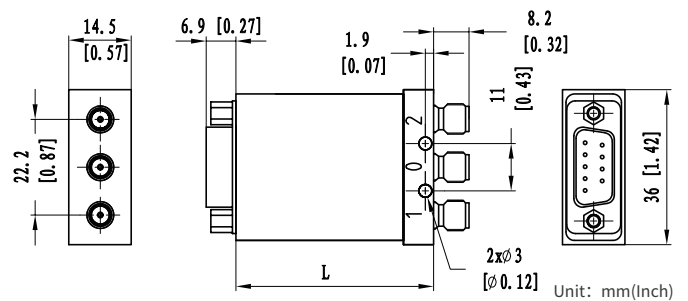
◆ Outline Drawing

Solder Pins



L = 38.7(Non TTL/TTL)
L = 44.7(Indicators)

D-SUB Male



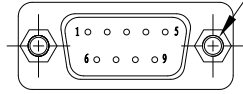
L = 47.9(Non TTL/TTL)
L = 55.9(Indicators)

◆ Specifications

- | | | |
|---|--|--|
| Switching Sequence: Break before Make | Mechanical Life Cycles: 2 million cycles | Mechanical Shock,Non-Operating: 50G、1/2 Sine、11 ms |
| Switching Time: 15ms max | RF Connectors: 1.85 Female | Vibration Operating: 20-2000 Hz、10G RMS |
| Storage temperature: -55°C~85°C | Impedance: 50Ω | Actuator Terminals: Solder Pins/D-SUB 9Pin Male |
| Operating temperature: -25°C~65°C(Standard) | | Weight: 50g |
| -45°C~85°C(Extended1) | | |
| -55°C~85°C(Extended2) | | |

2 × UNC#4-40▽4

[Depth 0.157]



DB9 male

◆ Truth Table

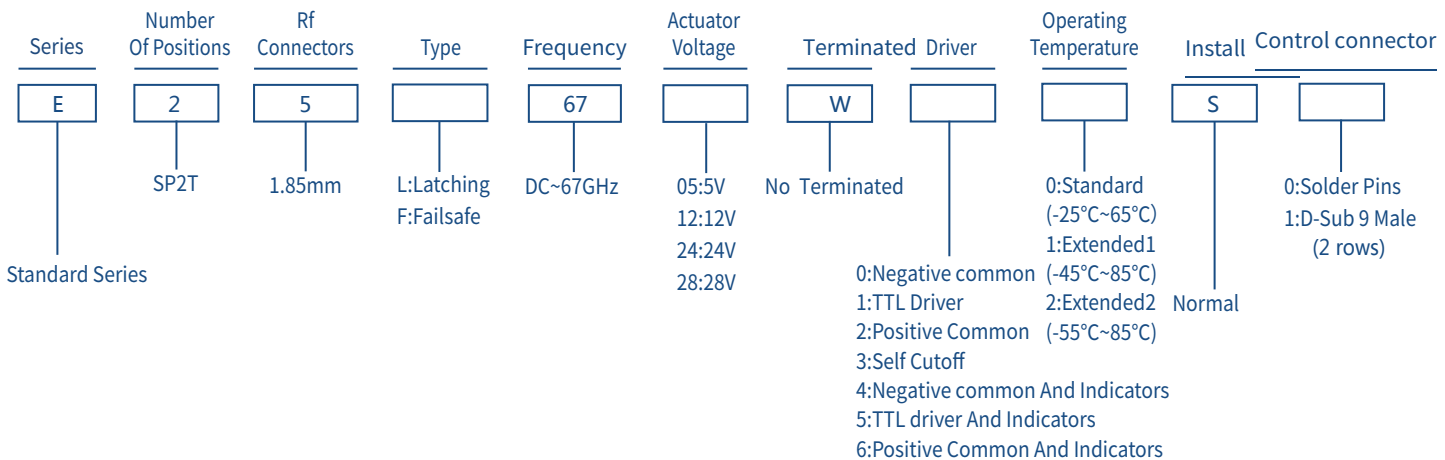
Failsafe Non TTL		
Actuator Terminals		RF Connector
Solder Pins/D-SUB 9Pin Male		
Pin No.	Define	No Power,RF 1-0
1	V	RF 2-0
2	N/A	-
3	GND	-
4	Ind.1	Indicators RF 1-0
5	Ind.2	
6	Ind.com	
7	VDC	
8-9	N/A	-

Failsafe TTL		
Actuator Terminals		RF Connector
Solder Pins/D-SUB 9Pin Male		
Pin No.	Define	No Power,RF 1-0
1	VDC	RF 2-0
2	TTL	-
3	GND	-
4	Ind.1	Indicators RF 1-0
5	Ind.2	
6	Ind.com	
7-9	N/A	-

Latching Non TTL		
Actuator Terminals		RF Connector
Solder Pins/D-SUB 9Pin Male		
Pin No.	Define	-
1	V1	RF 1-0
2	V2	RF 2-0
3	GND	-
4	Ind.1	Indicators RF 1-0
5	Ind.2	
6	Ind.com	
7	VDC	
8-9	N/A	-

Latching TTL		
Actuator Terminals		RF Connector
Solder Pins/D-SUB 9Pin Male		
Pin No.	Define	-
1	VDC	-
2	TTL	RF 1-0
3	GND	-
4	TTL	RF 2-0
5	Ind.1	Indicators RF 1-0
6	Ind.2	
7	Ind.com	
8-9	N/A	-

◆ Product Selection



★ EXP: E25L6705W00S0: Standard Series、SP2T、1.85mm、Latching、DC~67GHz、5V、Non Terminated、Negative common、Standard、Normal、Solder Pins.