

SPDT 26.5GHz Terminated Failsafe / Latching

◆ RF Characteristics

Frequency (GHz)	Ins.loss (dB)	Isolation (dB)	VSWR	RF Power CW (W)
DC-6	0.3	70	1.3	80
6-12	0.4	60	1.4	60
12-18	0.5	55	1.5	50
18-26.5	0.6	50	1.6	15

◆ Operating Voltage/Coil Current

Operating Voltage(V)	12	24	28
Coil Current (mA)	Failsafe 350	200	180
	Latching 400	200	180

* It can be selected according to user requirements

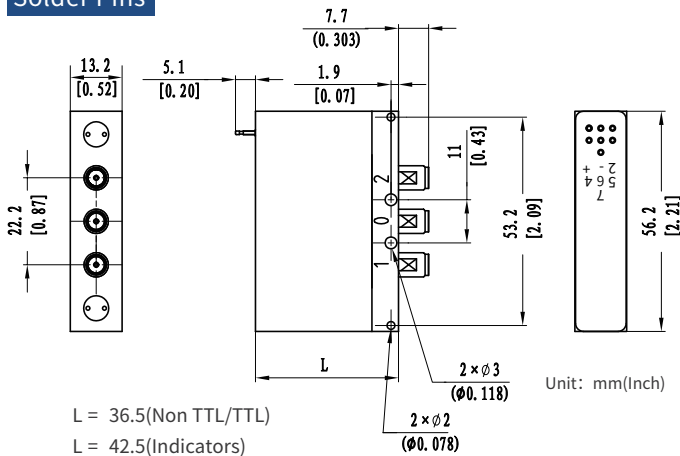
TTL	TTL Low(V)	TTL High	
	0-0.3	3~5V	20mA

Indicators	Withstand Voltage V (max)	Current capacity mA(max)	Resistance Ω (max)
	50	100	15

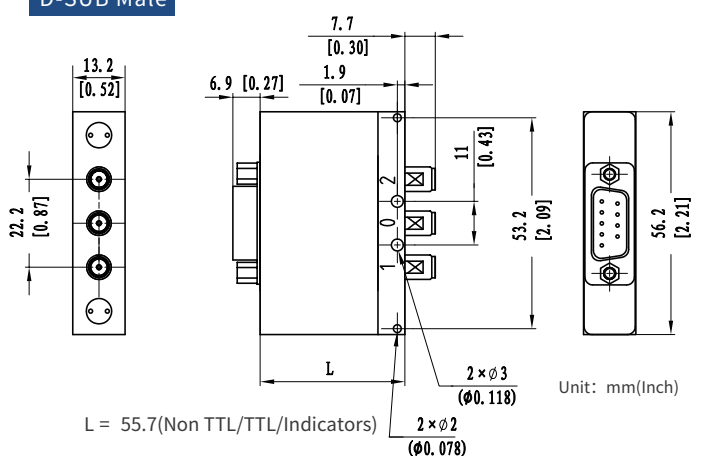
* Connect VDC & GND before the function operates

◆ Outline Drawing

Solder Pins



D-SUB Male



◆ Product Functions

- DC to 26.5GHz
- Low loss, Low VSWR, High Isolation
- SMA Connector
- Selectable TTL driver control

◆ Specifications

Switching Sequence: Break before Make

Switching Time: 15ms max

Storage temperature: -55°C~85°C

Operating temperature: -25°C~65°C(Standard)
-45°C~85°C(Extended1)
-55°C~85°C(Extended2)

Mechanical Life Cycles: 2 million cycles

RF Connectors: SMA Female

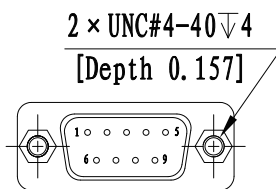
Impedance: 50Ω

Mechanical Shock,Non-Operating: 50G、1/2 Sine、11 ms

Vibration Operating: 20-2000 Hz、10G RMS

Actuator Terminals: Solder Pins/D-SUB 9Pin Male

Weight: 70g



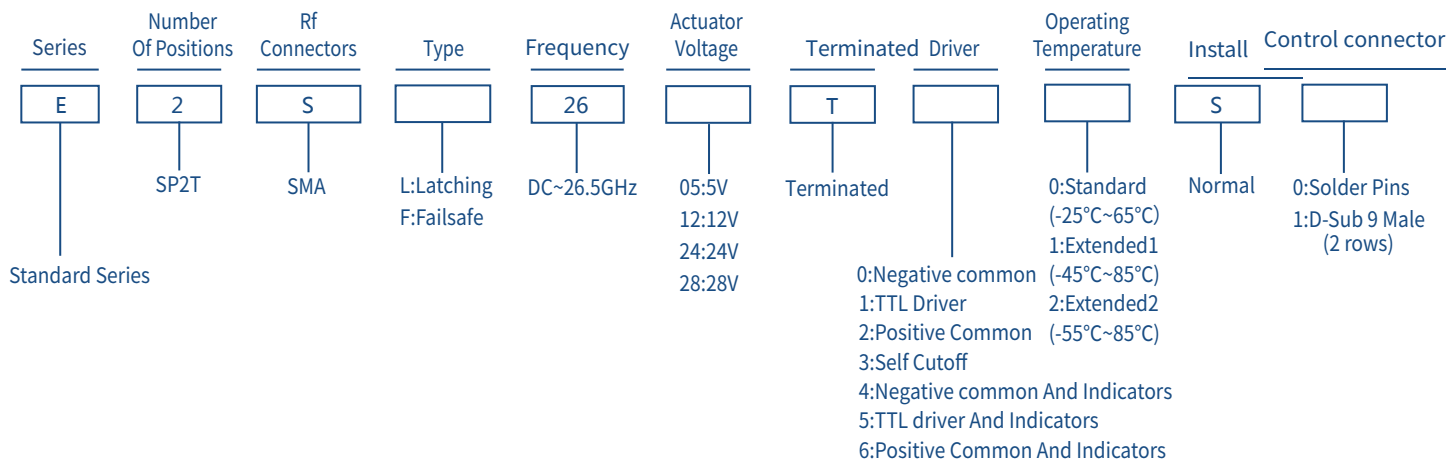
DB9 male

◆ Truth Table

Failsafe Non TTL				Failsafe TTL			
Actuator Terminals			RF Connector	Actuator Terminals			RF Connector
Solder Pins/D-SUB 9Pin Male				Solder Pins/D-SUB 9Pin Male			
Pin No.	Define		No Power,RF 1-0	Pin No.	Define		No Power,RF 1-0
1	V		RF 2-0	1	VDC		RF 2-0
2	N/A		-	2	TTL		-
3	GND		-	3	GND		-
4	Ind.1	Indicators	RF 1-0	4	Ind.1	Indicators	RF 1-0
5	Ind.2		RF 2-0	5	Ind.2		RF 2-0
6	Ind.com		-	6	Ind.com		-
7	VDC		-	7~9	N/A		-
8~9	N/A		-				

Latching Non TTL				Latching TTL			
Actuator Terminals			RF Connector	Actuator Terminals			RF Connector
Solder Pins/D-SUB 9Pin Male				Solder Pins/D-SUB 9Pin Male			
Pin No.	Define		-	Pin No.	Define		-
1	V1		RF 1-0	1	VDC		-
2	V2		RF 2-0	2	TTL		RF 1-0
3	GND		-	3	GND		-
4	Ind.1	Indicators	RF 1-0	4	TTL		RF 2-0
5	Ind.2		RF 2-0	5	Ind.1	Indicators	RF 1-0
6	Ind.com		-	6	Ind.2		RF 2-0
7	VDC		-	7	Ind.com		-
8~9	N/A		-	8~9	N/A		-

◆ Product Selection



★ EXP: E2SL2605T00S0: Standard Series, SP2T, SMA, Latching, DC~26.5GHz, 5V, Terminated, Negative common, Standard, Normal, Solder Pins.